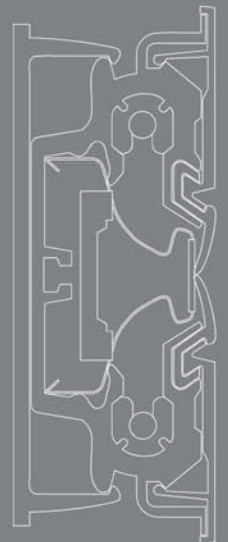




Specifications

Length	3600mm Max
Rated Voltage	250V a.c, Single-phase
Rated Current	40Amp Max
Finishing	Clear Anodized



Scale 1:1

RC Recess Compact Track



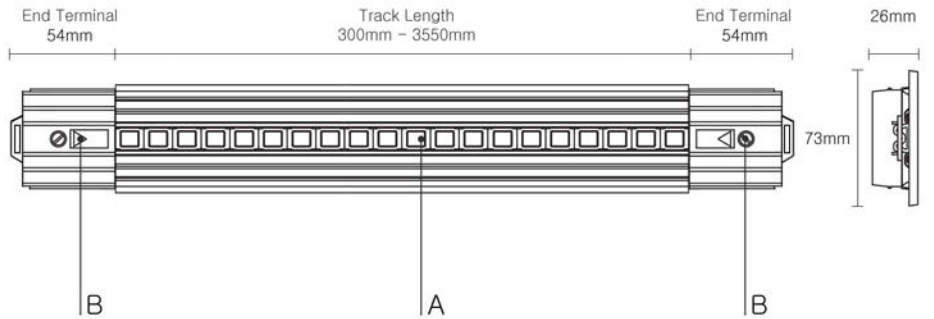
RC Recess Compact Track



Front View

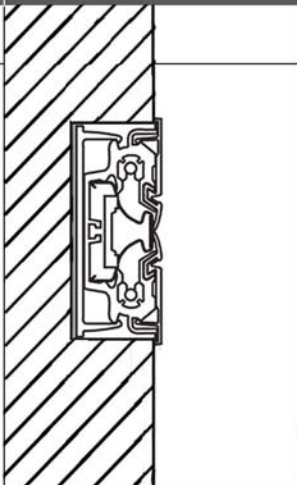
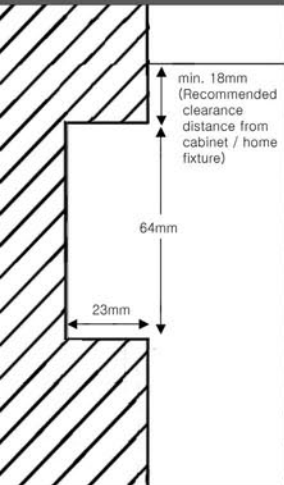


Front View (without covers)



Track
Part No: TASX24

End Terminal Set
Part No: EAX12/13.RC-GY



Recess Compact Track is designed for lamination of thickness 0.4mm or less



Installation |



EUBIQ PTE LTD 9 JOO KOON CRESCENT SINGAPORE 629025
ALL RIGHTS RESERVED. EUBIQ AND GSS ARE REGISTERED TRADEMARKS OF EUBIQ PTE LTD.

Disclaimer: Eubiq Pte Ltd reserves the rights to alter any details of the specifications and equipment without prior notice. Details of the specifications and equipment are subjected to change to suit local standards, conditions and requirements. Please consult your local dealer for more information or log on to www.eubiq.com.